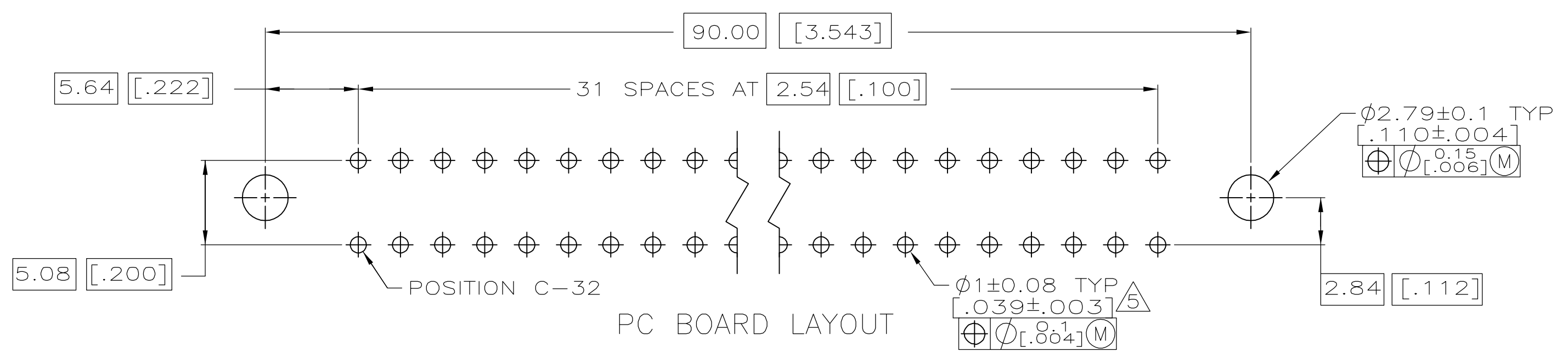
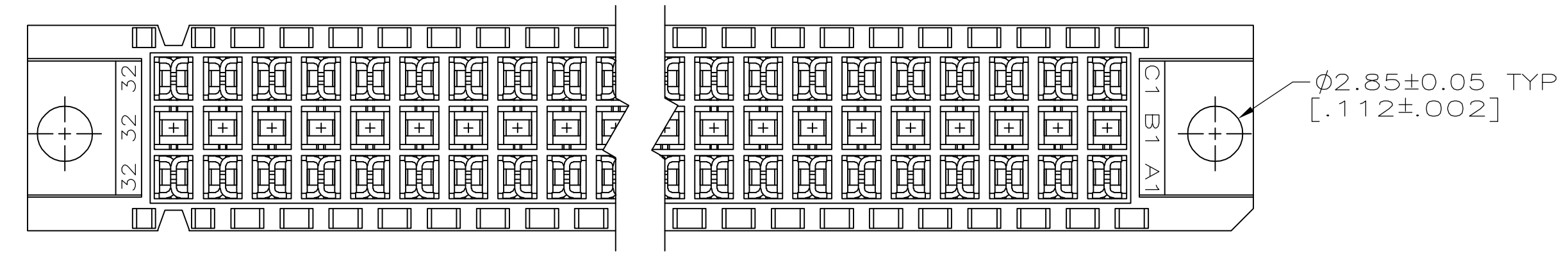
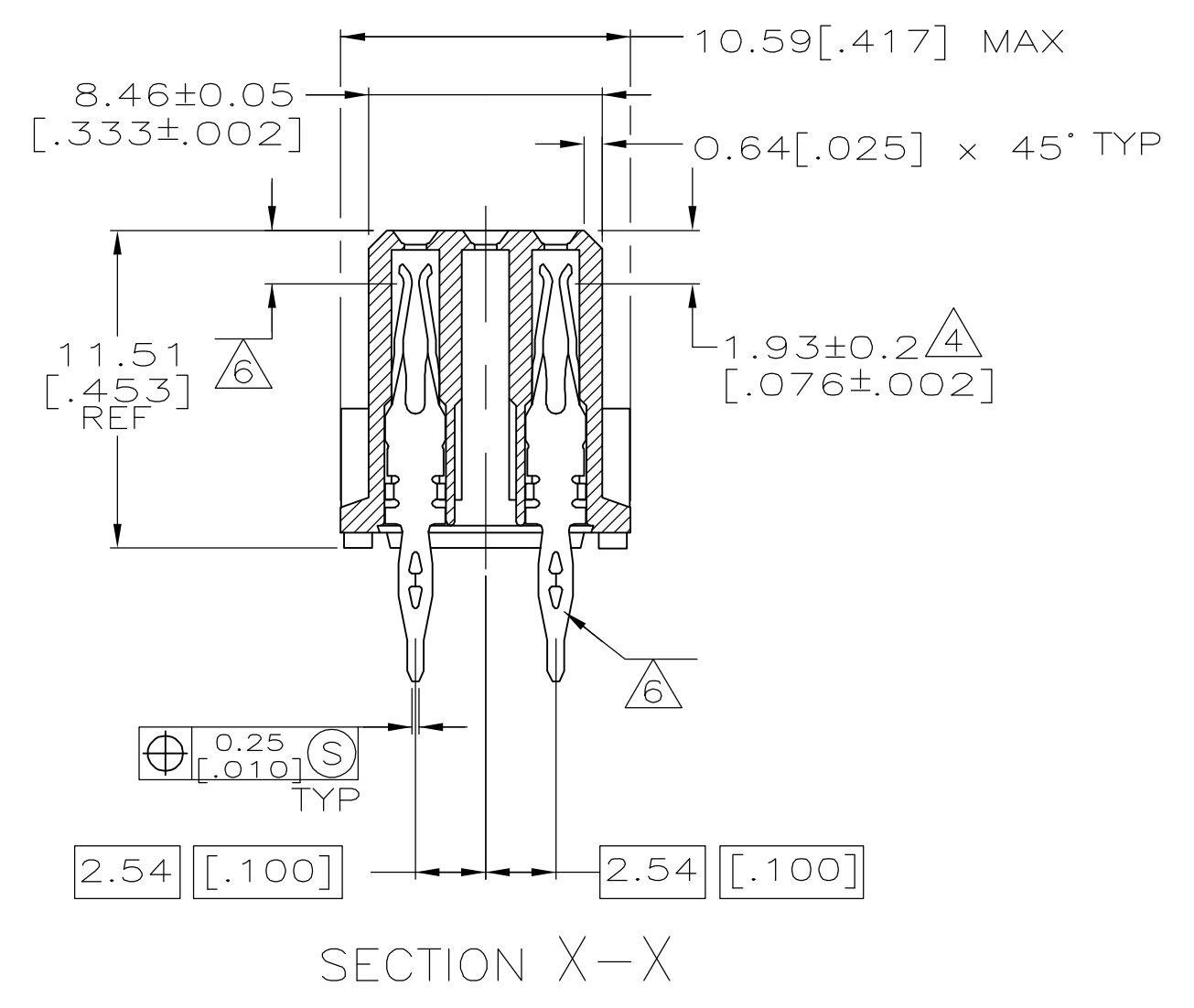
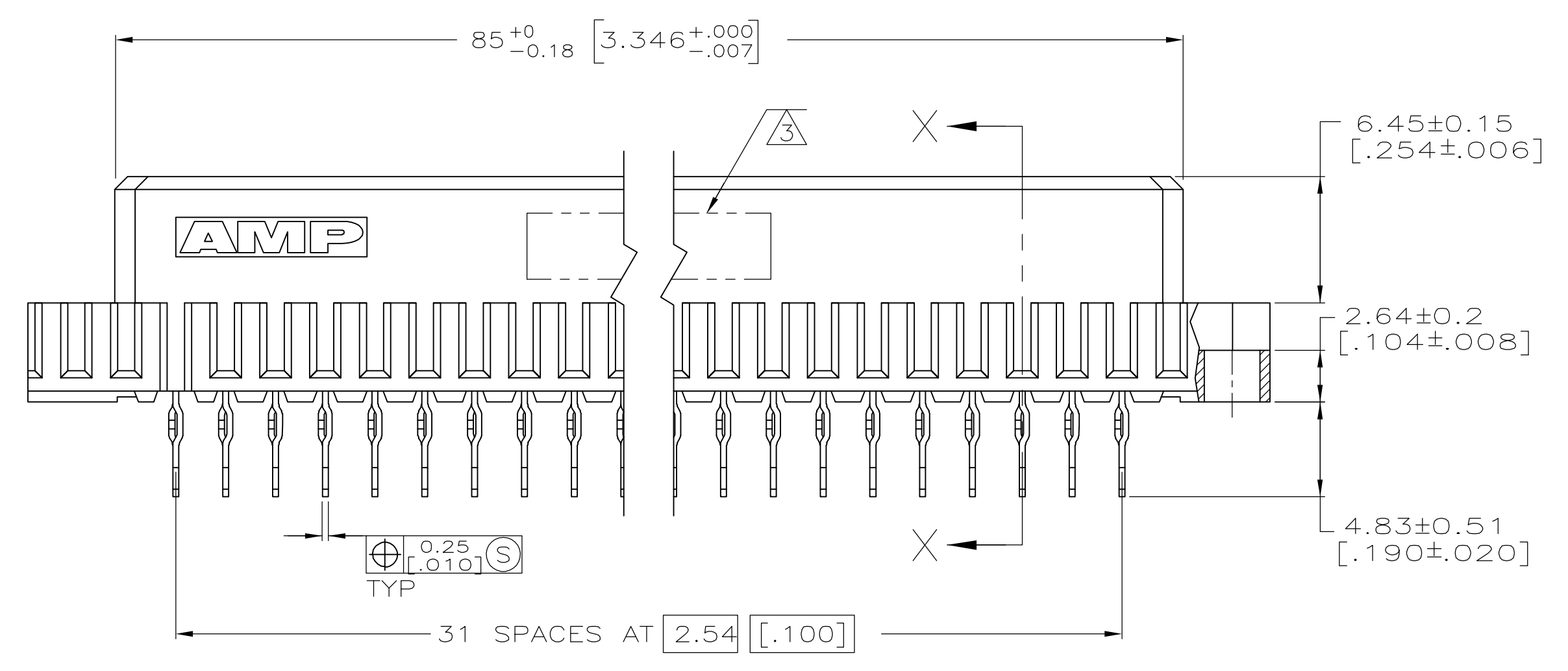
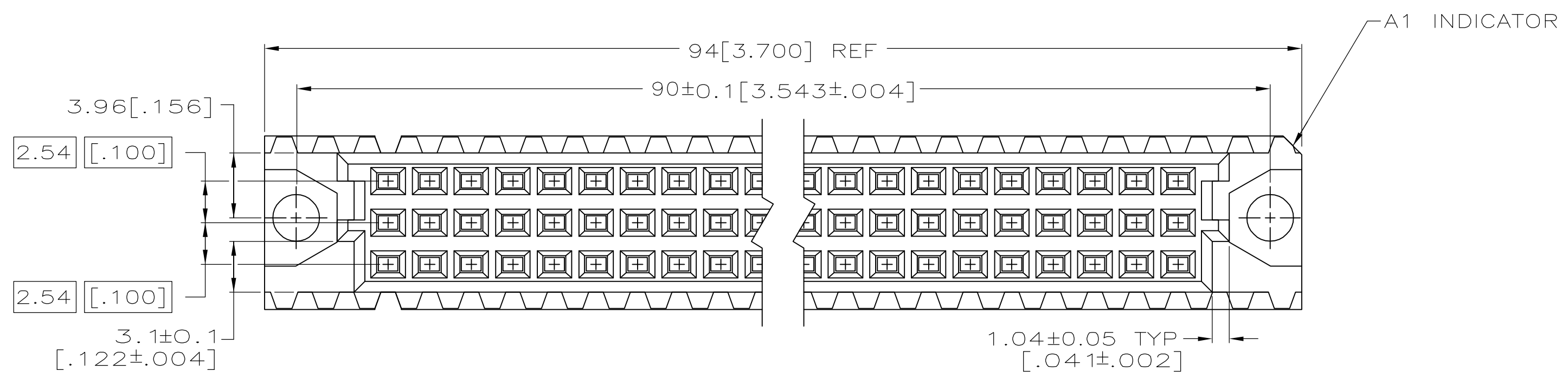


- ① HOUSING MATERIAL: GLASS-FILLED POLYMER.
- ② CONTACT MATERIAL: COPPER ALLOY.
- ③ PART NUMBER, DATE CODE IDENTIFICATION, CSA LOGO IN THIS APPROXIMATE AREA.
- ④ POINT OF MEASUREMENT FOR GOLD.
- ⑤ ACTION PIN POSTS REQUIRE .157[.062] MIN THICK PC BOARD. RECOMMENDED PC BOARD HOLES ARE $\varnothing 1.51 \pm 0.2$ [.0453 \pm .001] DRILLED HOLE WITH .02-.07 [.001-.003] COPPER AND 0.008 [.0003] MIN TIN-LEAD PLATING. FINISHED HOLE AFTER PLATING, $\varnothing 0.94-1.09$ [.037-.043].
- ⑥ CONTACT FINISH: DIN 41612 CLASS 2 ON CONTACT AREA. TIN PLATE ON POSTS.



⑥	1 THRU 32	X	-	X	64	5535059-5
⑥	1 THRU 32	X	-	X	64	5535059-4
FINISH	POSITIONS LOADED	C	B	A	NO. OF LOADED POSITION	ASSY PART NUMBER

THIS DRAWING IS A CONTROLLED DOCUMENT.

DIMENSIONS:	TOLERANCES UNLESS OTHERWISE SPECIFIED:	DWN	J. POLIGNONE	03JUN05	tyco Electronics	Tyco Electronics Corporation
mm [INCHES]	0. PLC \pm -	CHK	A. SHARPE	03JUN05	NAME	Harrisburg, Pa 17105-3608
①	1. PLC \pm -	APPD	A. SHARPE	03JUN05	PRODUCT SPEC	ASSEMBLY, RECEPTACLE, EUROCARD, TYPE C, LEAD-FREE, A and C, 64/96 POSITION, 4.83[.190] TOOLLESS PRESS-FIT,
②	2. PLC \pm -	APPLICATION SPEC			SIZE	CAGE CODE DRAWING NO
③	3. PLC \pm -				WEIGHT	A1 00779 ©=5535059
④	4. PLC \pm -				CUSTOMER DRAWING	SCALE 4:1 SHEET 1 OF 1 REV 0
⑤	ANGLES \pm -					
⑥	FINISH					